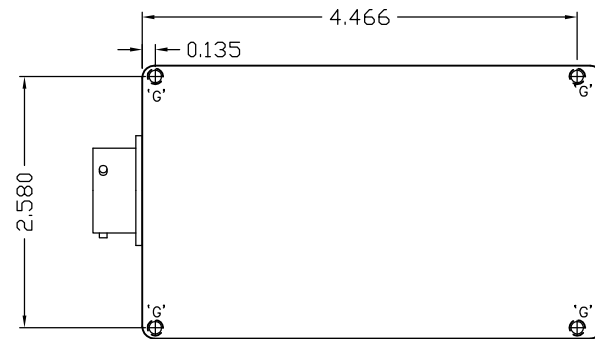
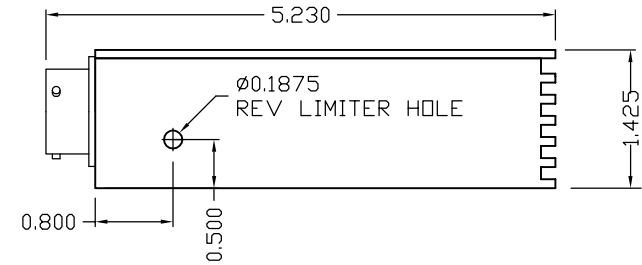
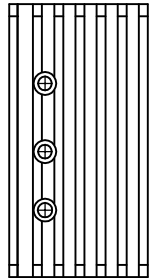
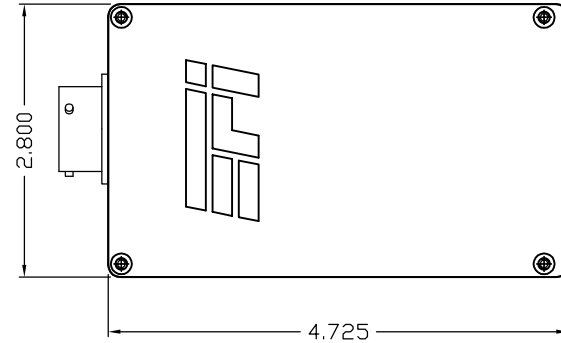
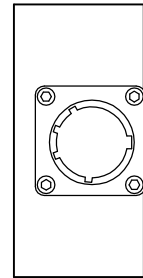
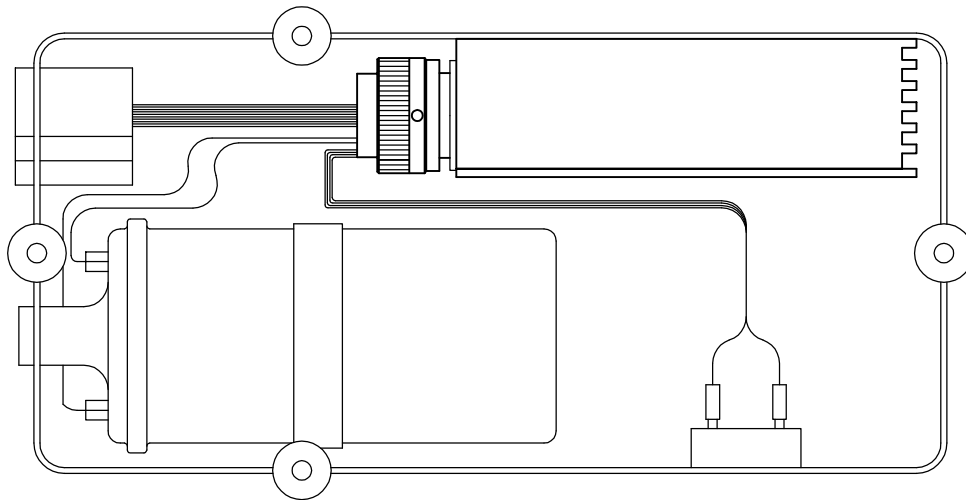


NOTICE

THIS DRAWING IS CONFIDENTIAL AND IS SUPPLIED ON THE EXPRESS  
 CONDITION THAT IT SHALL NOT BE LENT, COPIED OR DISCLOSED TO  
 ANY OTHER PERSON OR USED FOR ANY PURPOSE WITHOUT THE PRIOR  
 WRITTEN CONSENT OF EFI TECHNOLOGY, INC. CA

REVISIONS			
LTR	DESCRIPTION	DATE	APPROVED
	INITIAL RELEASE	07/17/13	



MOUNTING HOLES 'G'  
 DRILL & TAP 8-32 x 0.500  
 FULL THREAD DEPTH

		VR1/SUPER STOCK SINGLE CHANNEL CDI IGNITION MOUNTING	
		DRAWN BY M.N.	DATE 07/17/13
SCALE : 1:1	MAT'L : 6061-T6	DRAWING NO 51-013	
DO NOT SCALE DRAWING			SHEET NO : 1 OF 1